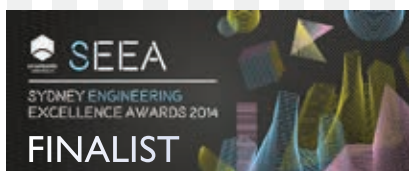




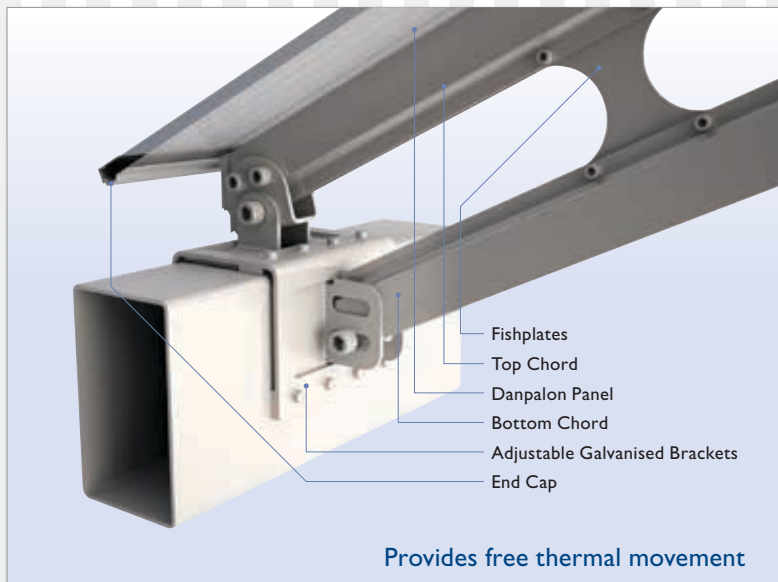
SPACETRUSSTM SYSTEM

Nothing spans Easier!





BEAM CONNECTION



TRUSS AND PURLIN DETAIL



Scan to watch video

FEATURES:

- Large Free Spans up to 45m
- Structural Efficiency
- Affordability
- Convenience
- Versatility

The Spacetruss™ System simplifies the design, procurement and construction of large free-spanning canopies up to 45 metres.

It features a combination of aluminium and steel components that are economical and attractive, maximising visual cleanness while minimising material costs.

Typically the trusses are spaced 1.04 metres apart to suit the width of Danpalon light transmitting glazing.

This glazing can be above the trusses, below them or on both sides depending on visual preference and insulation requirement.

Alternatively any other roofing material can be installed by using special concealed brackets to attach purlins onto trusses up to 3.0m metres apart.

The trusses attach to the beams using special brackets that cater for free lateral thermal movement, resulting in a floating system with no stress on the materials.

The base support member is fixed to the beam while the brackets holding the trusses can slide left or right as necessary.

The sliding brackets allow for movement in the trusses as well as accommodating a wide range of different shaped structures.

By allowing the connection points to be adjustable, exact precision in locating the brackets and trusses during installation is not required.

An attractive and structurally efficient pre-engineered design.

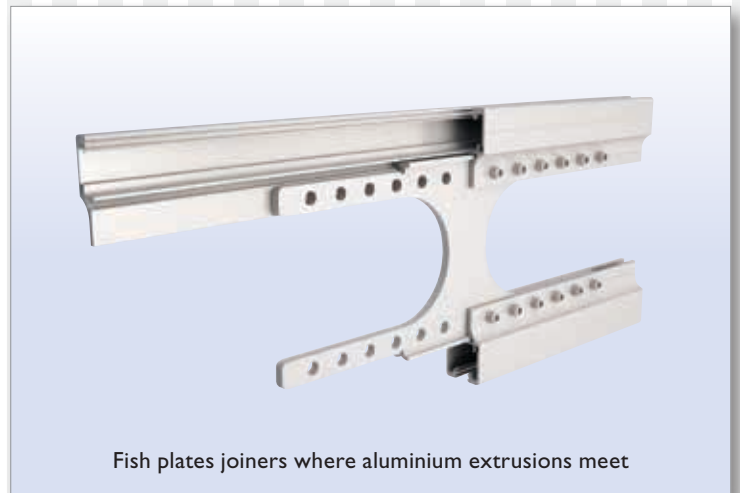


Convenient Sliding Connection System

CHORD CONNECTION



CHORD CONNECTION / JOIN



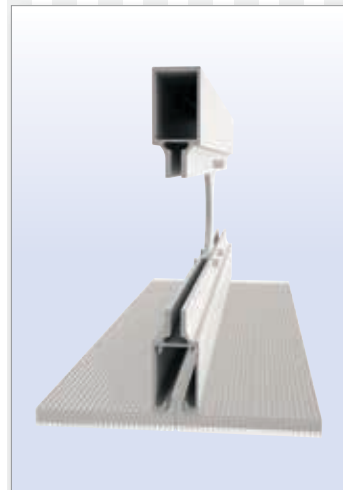
TRUSS AND DANPALON DETAILS



Roofing on top
(Bar Option)



Roofing on top
(Connector Option)



Roofing under frame
(Connector Option)



Double layered option
(Connector Option)

Ideal for large free-standing shade structures and sporting enclosures.



POLYCARBONATE ROOFING
51 Steel St Capalaba Qld 4157
sales@polycarbonate.com.au
Ph 07 3245 1301



as seen on www.ecospecifier.org